

Transport Media & Swabs

Three Types of Media

- ITM: Inactivation Transport Medium
- VTM: Viral Transport Medium
- Normal Saline Medium

Two Types of Swabs

- Nasopharyngeal Swab
- Oropharyngeal Swab

Design Advantage

- Each vial body has a unique bar code.
- The label information includes production date and expiration date.



NEST SWAB

Open the links to watch the video which our products compare with others. <https://youtu.be/Jyho1NpnHmw>

ADVANTAGE:

Nest nylon flocked swabs provide optimum specimen collection because of their ability to collect more specimen at the collection site and to more rapidly release the entire sample specimen.



- Swab head is flocked nylon, and swab shaft is made of ABS (Acrylonitrile butadiene styrene).
- Non-toxic
- Individually wrapped and sterile
- CE, FDA, ISO certified

Cat.No.	Description	/Pk	/Cs
202003	Oropharyngeal Specimen Collection Swab, Individually Wrapped, Sterile	100	5000
202004	Nasopharyngeal Specimen Collection Swab, Individually Wrapped, Sterile	100	5000



ITM (Inactivation Transport Medium)

Advantage:

- ITM medium serves to both inactivate viruses and prevent nucleic acid degradation.
- Room temperature transport
- Samples can be stored at room temperature for 20 days.
- Used for collection, storage and transportation of viruses, chlamydiae, mycoplasma and ureaplasma.

Cat.No.	Description	/Pk	/Cs
202001	Disposable Sampler, 5 mL Vial with 2 mL ITM, with Individually Wrapped and Sterile Oropharyngeal Swab, 10 Vials/pk, 50 Vials + 50 Swabs/cs	10	50
202005	Disposable Sampler, 5 mL Vial with 2 mL ITM, with Individually Wrapped and Sterile Nasopharyngeal Swabs, 10 Vials/pk, 50 Vials + 50 Swabs/cs	10	50
202008	Disposable Sampler, 5 mL Vial with 2 mL ITM, with Individually Wrapped and Sterile Nasopharyngeal Swabs, 1 Vial + 1 NP Swab/pk, 100 pk/cs	1	100
202039	Disposable Sampler, 5 mL Vial with 2 mL ITM, with Individually Wrapped and Sterile Oropharyngeal & Nasopharyngeal Swabs, 1 Vial + 1 NP Swab/pk 1 Oral Swab/pk, 100 pk/cs	1	100
202006	Disposable Sampler, 10 mL Vial with 3 mL ITM, with Individually Wrapped and Sterile Oropharyngeal Swabs, 1 Vial + 1 Oral Swab/pk, 100 pk/cs	1	100
202007	Disposable Sampler, 10 mL Vial with 3 mL ITM, with Individually Wrapped and Sterile Nasopharyngeal Swabs, 1 Vial + 1 NP Swab/pk, 100 pk/cs	1	100
202038	Disposable Sampler, 10 mL Vial with 3 mL ITM, with Individually Wrapped and Sterile Oropharyngeal & Nasopharyngeal Swabs, 1 Vial + 1 NP Swab/pk 1 Oral Swab/pk, 100 pk/cs	1	100



VTM (Viral Transport Medium)

- Used for collection, storage and transportation of human nasopharyngeal virus samples.
- Unused VTM medium can be transported at room temperature.
- Sample transport temperature requirement & storage time: 2 to 4 C°, 48h.
- VTM medium has two types of color: clear and clear pink.

Cat.No.	Description	/Pk	/Cs
VTM (Viral Transport Medium) without Phenol Red			
202011	Disposable Sampler, 5 mL Vial with 2.5 mL VTM, with Individually Wrapped and Sterile Oropharyngeal Swab, 10 Vials/pk, 50 Vials + 50 Swabs/cs	10	50
202015	Disposable Sampler, 5 mL Vial with 2.5 mL VTM, with Individually Wrapped and Sterile Nasopharyngeal Swabs, 10 Vials/pk, 50 Vials + 50 Swabs/cs	10	50
202012	Disposable Sampler, 5 mL Vial with 2.5 mL VTM, with Individually Wrapped and Sterile Oropharyngeal Swabs, 1 Vial + 1 Oral Swab/pk, 100 pk/cs	1	100
202014	Disposable Sampler, 5 mL Vial with 2.5 mL VTM, with Individually Wrapped and Sterile Nasopharyngeal Swabs, 1 Vial + 1 NP Swab/pk, 100 pk/cs	1	100
202115	Disposable Sampler, 5 mL Vial with 2.5 mL VTM, 10 Vials/pk, 100 Vials/cs	10	100
202117	Disposable Sampler, 10 mL Vial with 3 mL VTM, 10 Vials/pk, 100 Vials/cs	10	100
202061	Disposable Sampler, 10 mL Vial with 3 mL VTM, with Individually Wrapped and Sterile Oropharyngeal Swab, 10 Vials/pk, 50 Vials + 50 Swabs/cs	10	50
202065	Disposable Sampler, 10 mL Vial with 3 mL VTM, with Individually Wrapped and Sterile Nasopharyngeal Swabs, 10 Vials/pk, 50 Vials + 50 Swabs/cs	10	50
202016	Disposable Sampler, 10 mL Vial with 3 mL VTM, with Individually Wrapped and Sterile Oropharyngeal Swabs, 1 Vial + 1 Oral Swab/pk, 100 pk/cs	1	100
202017	Disposable Sampler, 10 mL Vial with 3 mL VTM, with Individually Wrapped and Sterile Nasopharyngeal Swabs, 1 Vial + 1 NP Swab/pk, 100 pk/cs	1	100
202019	Disposable Sampler, 5 mL Vial with 2.5 mL VTM, with Individually Wrapped and Sterile Oropharyngeal & Nasopharyngeal Swabs, 1 Vial + 1 NP Swab/pk 1 Oral Swab/pk, 100 pk/cs	1	100
202018	Disposable Sampler, 10 mL Vial with 3 mL VTM, with Individually Wrapped and Sterile Oropharyngeal & Nasopharyngeal Swabs, 1 Vial + 1 NP Swab/pk 1 Oral Swab/pk, 100 pk/cs	1	100
VTM (Viral Transport Medium) without Phenol Red			
202511	Disposable Sampler, 5 mL Vial with 2.5 mL VTM (no Phenol Red) , with Individually Wrapped and Sterile Oropharyngeal Swab, 10 Vials/pk, 50 Vials + 50 Swabs/cs	10	50
202515	Disposable Sampler, 5 mL Vial with 2.5 mL VTM (no Phenol Red) , with Individually Wrapped and Sterile Nasopharyngeal Swabs, 10 Vials/pk, 50 Vials + 50 Swabs/cs	10	50
202512	Disposable Sampler, 5 mL Vial with 2.5 mL VTM, with Individually Wrapped and Sterile Oropharyngeal Swabs, 1 Vial + 1 Oral Swab/pk, 100 pk/cs	1	100
202514	Disposable Sampler, 5 mL Vial with 2.5 mL VTM, with Individually Wrapped and Sterile Nasopharyngeal Swabs, 1 Vial + 1 NP Swab/pk, 100 pk/cs	1	100
202116	Disposable Sampler, 5 mL Vial with 2.5 mL VTM, 10 Vials/pk, 100 Vials/cs	10	100
202118	Disposable Sampler, 10 mL Vial with 3 mL VTM, 10 Vials/pk, 100 Vials/cs	10	100
202561	Disposable Sampler, 10 mL Vial with 3 mL VTM (no Phenol Red) , with Individually Wrapped and Sterile Oropharyngeal Swab, 10 Vials/pk, 50 Vials + 50 Swabs/cs	10	50
202565	Disposable Sampler, 10 mL Vial with 3 mL VTM (no Phenol Red) , with Individually Wrapped and Sterile Nasopharyngeal Swabs, 10 Vials/pk, 50 Vials + 50 Swabs/cs	10	50

202516	Disposable Sampler, 10 mL Vial with 3 mL VTM, with Individually Wrapped and Sterile Oropharyngeal Swabs, 1 Vial + 1 Oral Swab/pk, 100 pk/cs	1	100
202517	Disposable Sampler, 10 mL Vial with 3 mL VTM, with Individually Wrapped and Sterile Nasopharyngeal Swabs, 1 Vial + 1 NP Swab/pk, 100 pk/cs	1	100
202519	Disposable Sampler, 5 mL Vial with 2.5 mL VTM, with Individually Wrapped and Sterile Oropharyngeal & Nasopharyngeal Swabs, 1 Vial + 1 NP Swab/pk 1 Oral Swab/pk, 100 pk/cs	1	100
202518	Disposable Sampler, 10 mL Vial with 3 mL VTM, with Individually Wrapped and Sterile Oropharyngeal & Nasopharyngeal Swabs, 1 Vial + 1 NP Swab/pk 1 Oral Swab/pk, 100 pk/cs	1	100

Saline Medium

- Safe and effective for home collection
- Produced according to the FDA standard
- Room temperature for transportation and storage
- After collection the sample transportation requirement: room temperature within 48h.



Cat.No.	Description	/Pk	/Cs
202041	Disposable Sampler, 5 mL Vial with 1.2 mL 0.85% Saline Solution, with Individually Wrapped and Sterile Nasopharyngeal Swabs, 10 Vials/pk, 50 Vials + 50 Swabs/cs	10	50
202045	Disposable Sampler, 5 mL Vial with 1.2 mL 0.85% Saline Solution, with Individually Wrapped and Sterile Nasopharyngeal Swabs, 10 Vials/pk, 50 Vials + 50 Swabs/cs	10	50
202042	Disposable Sampler, 5 mL Vial with 1.2 mL 0.85% Saline Solution, with Individually Wrapped and Sterile Oropharyngeal Swabs, 1 Vial + 1 Oral Swab/pk, 100 pk/cs	1	100
202049	Disposable Sampler, 5 mL Vial with 1.2 mL 0.85% Saline Solution, with Individually Wrapped and Sterile Oropharyngeal & Nasopharyngeal Swabs, 1 Vial + 1 NP Swab + 1 Oral Swab/pk, 100 pk/cs	1	100
202141	Disposable Sampler, 5 mL Vial with 1.2 mL 0.85% Saline Solution, 10 Vials/pk, 100 Vials/cs	10	100

Operating Instruction



Peel apart the package



Remove the sterilized swab to collect samples



Insert the swab into transport medium and break the handle at breakpoint after sampling.

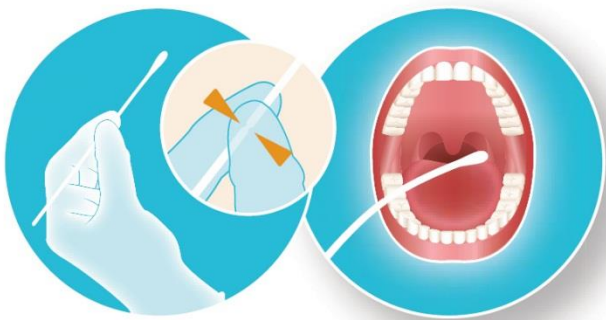


Tighten the cap to secure.



Nasopharyngeal Specimen Collection Swab:

- With the patient seated, if possible, tilt the head back 70 degrees.
- Gently insert swab into the nostril along the septum floor of the nose extending straight back until the posterior nasopharynx is reached (distance from nostrils to external opening of ear).
- Rotate the swab several times while the swab is in contact with the nasopharyngeal wall.

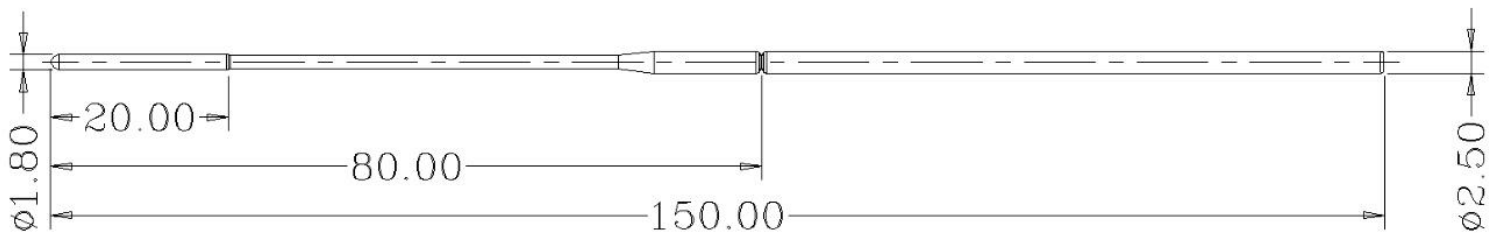


Oropharyngeal Specimen Collection Swab:

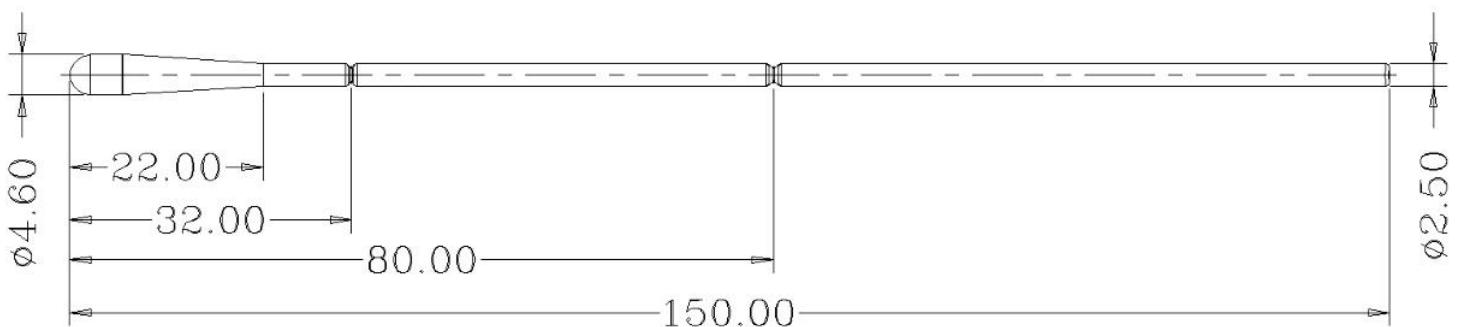
- Gently insert swab into back of the throat and tonsillar area.
- Rub the swab over both tonsillar pillars and the posterior oropharynx, avoid touching the tongue, teeth and gums.

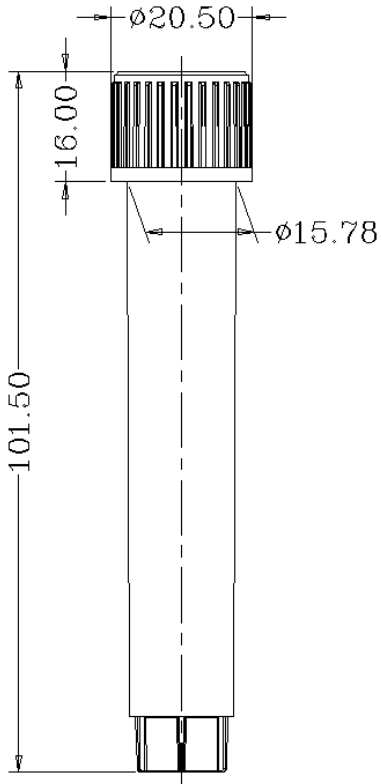
▼▲ Technical Drawing

Nasopharyngeal Specimen Collection Swab

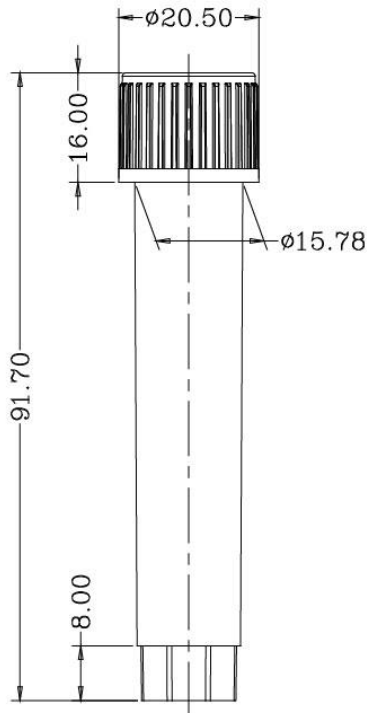


Oropharyngeal Specimen Collection Swab

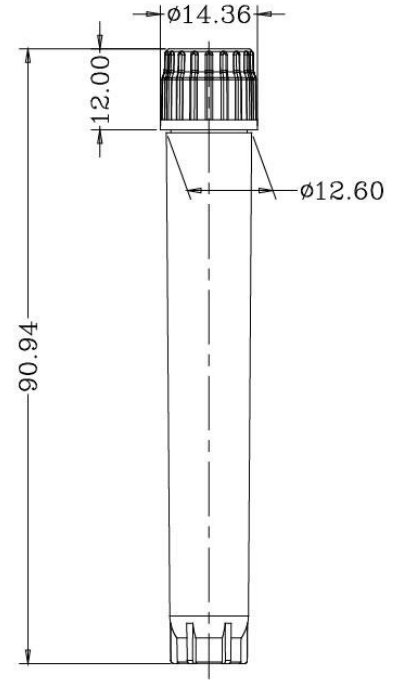




10 mL Vial



10 mL Vial



5 mL Vial